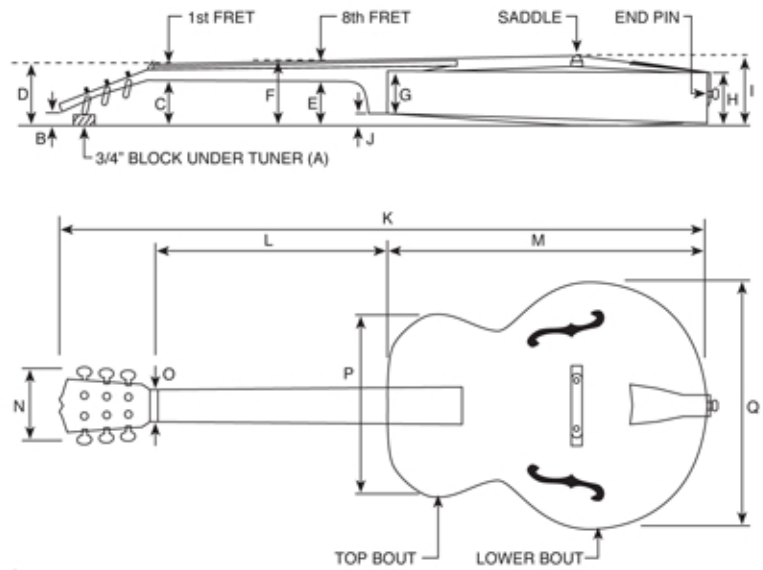


Custom Fitted
Fibreglass
Instrument Cases

ARCH TOP ORDER FORM

(ALSO FOR THIN LINE ACOUSTIC ELECTRICS, HOLLOW BODY ELECTRICS WITH BACK ANGLED HEADSTOCKS AND ARCH TOP BOUZOUKI/MANDO CELLO ETC)

- 3/4" _____ A - Table to bottom of Tuner
 _____ B - Table to bottom of Headstock
 _____ C - Table to bottom of Neck at 1st Fret
 _____ D - Table to top of 1st Fret
 _____ E - Table to bottom of Neck at 8th Fret
 _____ F - Table to top of String at 8th Fret
 _____ G - Depth of Body at Heel
 _____ H - Table to top of Body at End Pin
 _____ I - Table to Top of Saddle
 _____ J - Table to Back of Guitar at the Heel
 _____ K - Length of Guitar (overall)
 _____ L - Length of Neck
 _____ M - Length of Body
 _____ N - Width of Headstock (Includes Tuners)
 _____ O - Width of Neck at Nut
 _____ P - Width of Body at widest point of Top Bout
 _____ Q - Width of Body at widest point of Lower Bout



MEASURING INSTRUCTIONS

STEP 1: Place the instrument on a table and rest the Headstock on a 3/4" block.

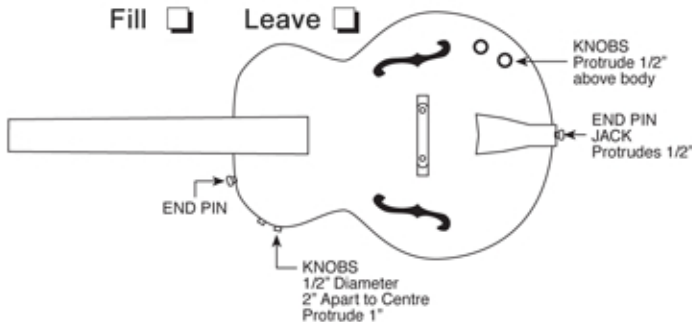
STEP 2: Take measurements to the nearest 1/16".

STEP 3: Make a tracing of the guitar body shape using a reasonable weight paper or light cardboard. Do not use newsprint if at all possible. **CUT OUT YOUR TRACING AND COMPARE IT TO THE BACK OF YOUR GUITAR.** It is important that this tracing is accurate so that we can obtain a good fit for your instrument.

STEP 4: Note anything unusual about your guitar. Does it have any external knobs, pickups, strap pins or anything else that will require special cutting of the padding? If so, please include the measurements for these items and note their exact placement on your plans (see example below.)

STEP 5: Is your guitar a cutaway? Do you wish to have the cutaway filled with padding or left open for more storage? Please advise us so that we can adjust the padding accordingly.

Fill Leave



Date _____

Name _____

Address _____

Post Code _____

Phone _____

Guitar Make _____

Model _____

Contact us for pricing information

	Standard <input type="checkbox"/>	Reinforced <input type="checkbox"/>
Exterior Colour	<input type="checkbox"/> Red <input type="checkbox"/> Burgundy <input type="checkbox"/> Yellow	<input type="checkbox"/> Blue <input type="checkbox"/> Black <input type="checkbox"/> Green <input type="checkbox"/> Grey <input type="checkbox"/> White <input type="checkbox"/> Brown
Interior Colour	<input type="checkbox"/> Red <input type="checkbox"/> Burgundy <input type="checkbox"/> Black	<input type="checkbox"/> Blue <input type="checkbox"/> Silver <input type="checkbox"/> Gold <input type="checkbox"/> Green
Shoulder Strap		
Back Pack		
OTHER:		
Shipping and Handling		
Subtotal		
TOTAL ENCLOSED		

Post to: Calton Cases of Europe, 6 Grove Road, Ash, Near Aldershot, Hants GU12 5BD, England UK.

Tel: 01252 314300 Email:sales@caltoncases.co.uk

PLEASE NOTE: On all instruments the best thing for us is a full plan & side view including the Neck & Headstock